



1-800-779-2102

Mon – Thurs: 8:00am - 5:00pm | Friday: 8:00am - 4:00pm CST

**INSPECT YOUR PRODUCT FOR DAMAGE & MISSING
PARTS BEFORE PROCEEDING TO INSTALLATION**

PROCEDURE FOR RETURNS OR MISSING HARDWARE

-PLEASE CONTACT THE ORIGINAL POINT OF PURCHASE FOR:
SHIPPING DAMAGE, RETURNS, OR WARRANTY CLAIMS

-CONTACT DEE ZEE DIRECTLY FOR MISSING PARTS OR HARDWARE

WWW.DEEZEE.COM

REGISTER YOUR PRODUCT ONLINE: www.deezee.com/registration

VIEW INSTRUCTIONS ONLINE: www.deezee.com/instructions

⚠ WARNING: Cancer and Reproductive Harm
www.P65Warnings.ca.gov

Operating, servicing, and maintaining a passenger vehicle can expose you to chemicals such as lead, phthalates, engine exhaust, and carbon monoxide that are known to the State of California cause cancer and birth defects or other reproductive harm. To minimize exposure, service your vehicle and its accessories in a well-vented area and wear gloves or wash your hands frequently.



DEE ZEE, INC. WARRANTY AGREEMENT

Dee Zee, Inc. guarantees the original purchaser a limited lifetime warranty against manufacturer defects in materials, workmanship, and design under normal use, excluding damage resulting from road hazards such as gravel or other debris, product misuse, improper installation, impairments from accidents, product modifications, improper repairs, spills, vandalism, product neglect, or acts of God.

This warranty applies only to the original purchaser of new product(s) and is limited to the replacement of genuine Dee Zee products. Modification of any kind to Dee Zee products voids all warranty coverage. Warranty does not include electrical components, installation, cost of removal, labor, transportation costs, loss of use, inconvenience, or consequential damages.

WARRANTY COVERAGE - MATERIALS & WORKMANSHIP

LIMITED LIFETIME WARRANTY:

- STAINLESS STEEL: Side Steps, Grill Guards, Bull Bars, Bed Caps, and Side Rails
- ALUMINUM: Side Steps, Running Boards, Storage Boxes, Transfer Tanks, Bed Protection, Side Rails, Invis-A-Racks, and Cab Racks
- PLASTIC: Storage Boxes
- OTHER: Front and Rear Bumpers

THREE-YEAR WARRANTY:

- POWDER-COATED / E-COATED STEEL: Side Steps, Running Boards, Storage Boxes, Transfer Tanks, Cab Racks, Sport Bar Ladder Racks, Cargo Carriers, Mounting Brackets (NX, Rough Step, and Bumper Guards only)
- OTHER: Tailgate Assist, Bed Mats, Floor Mats, Auxiliary Fuel Connection Kits, and All Products Not Otherwise Listed Individually

WARRANTY COVERAGE – FINISH PROTECTION

The finish of all Dee Zee products is covered for one-year (1) from the date of purchase. Dee Zee products have a high quality finish that must be cared for and maintained like any other exposed finish on the vehicle. Protect the finish with non-abrasive automotive wax (e.g. Pure Carnuba) on a regular basis. Applying soaps, polishes, or waxes that contain an abrasive compound may scratch the finish and leave the exposed material susceptible to corrosion.

WARRANTY COVERAGE – COMPONENT PARTS

Operational items such as shocks, latches, hinges, and wear items including, but not limited to, mud flaps, step pads, toolbox tray, end caps, hardware, seals, etc. have a one-year (1) warranty. Replacement component parts can be ordered via credit card (MasterCard or VISA) by calling 1-800-779-2102. All replacement parts are non-returnable and non-refundable.

GPI® FUEL PUMPS & ACCESSORIES

All Great Plains Industries (GPI) products, including transfer tank pumps and fuel meters are covered by GPI's warranty policies. Dee Zee's warranty terms do not apply to GPI products. To submit a warranty claim, please contact GPI at 1-800-835-0113 or visit www.gpi.net.

WARRANTY SUBMISSION PROCEDURE

All warranty claims will be initiated at the place of purchase. The original purchaser will be required to present the original sales receipt with purchase date shown and provide photographs of the defect.

In the event the originally purchased product style is no longer available, Dee Zee will warranty the defective part with a current equivalent. If a comparable product is no longer available, the product would be returned to the store of purchase for a refund or the applicable cost difference can be paid to choose an alternate style.

DISCLAIMER

All products are sold as appearance accessories and should not be relied upon as protection for the vehicle or its occupants in the event of an accident. Vehicles equipped with a supplemental restraints system (air bags) deployed by impact and collision avoidance systems should not be modified in any way. Always consult the vehicle manufacturer if you have any questions regarding supplemental restraint systems and sensors.

Buyer must accommodate front and rear sensors during product installation and assumes all risk should these be tampered, rerouted, severed, or disconnected. This includes disabling visual, audio, or vibration alerts into the cab. Buyer assumes all risk and responsibility for wiring any supplemental auxiliary lights.

Buyer assumes all risk, liability, and cost for the installation and use of Dee Zee products. Dee Zee, Inc. assumes no liability for injury, loss, incidental or consequential damages in the event of an accident.



Thank you for choosing Dee Zee to add function and accessorize your vehicle. Dee Zee has been a staple brand in the truck accessory market since 1977 and we hold a reputation of quality manufacturing based in America's Heartland. Our products are born through careful engineering and backed by industry leading warranty programs. We appreciate the opportunity to serve you and your vehicle!

Review the instruction pages in their entirety to prepare the required tools

Warning: Please check for wiring or other obstructions before drilling any holes in the vehicle. If it is necessary to drill any holes, Dee Zee recommends putting a sealant or rust inhibitory around all holes drilled into the body of the vehicle.

It is the sole responsibility of the vehicle owner to check for tire clearance. It is unlawful and dangerous to ride on any external vehicle step while the vehicle is in motion.

Cleaning: To be entitled to all warranty rights offered with the product, Dee Zee steps need to be cleaned regularly with a mild detergent. Do NOT use abrasive cleaners. For stainless steel products, the application of a high grade automotive wax is recommended.




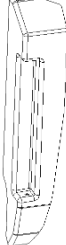


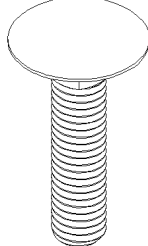
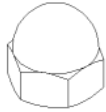
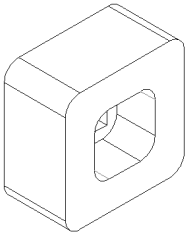
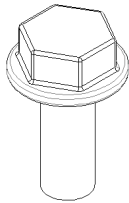
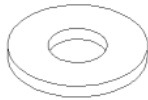
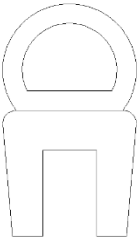
Dee Zee Cares - Please Recycle

For an electronic version of these instructions visit: www.deezee.com/instructions

Register your product online: www.deezee.com/registration

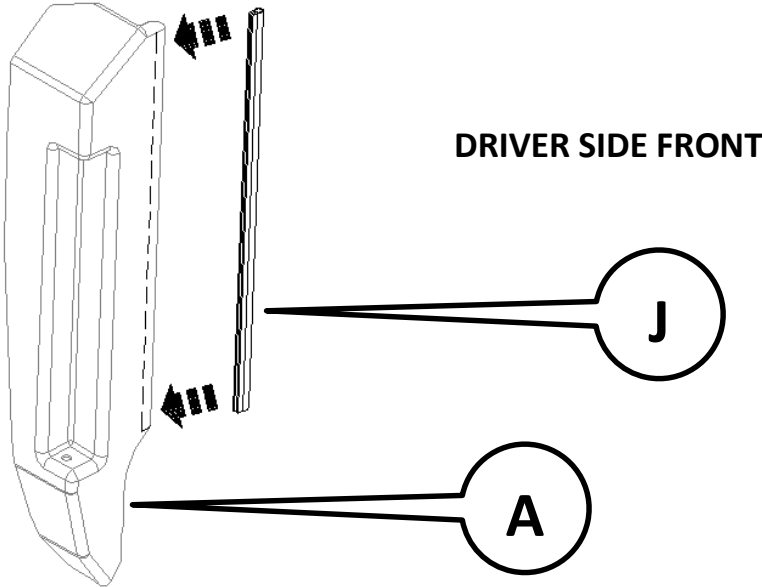
Hinge Covers Installation Instructions

DZ 4619 Ford Bronco 2021-Current

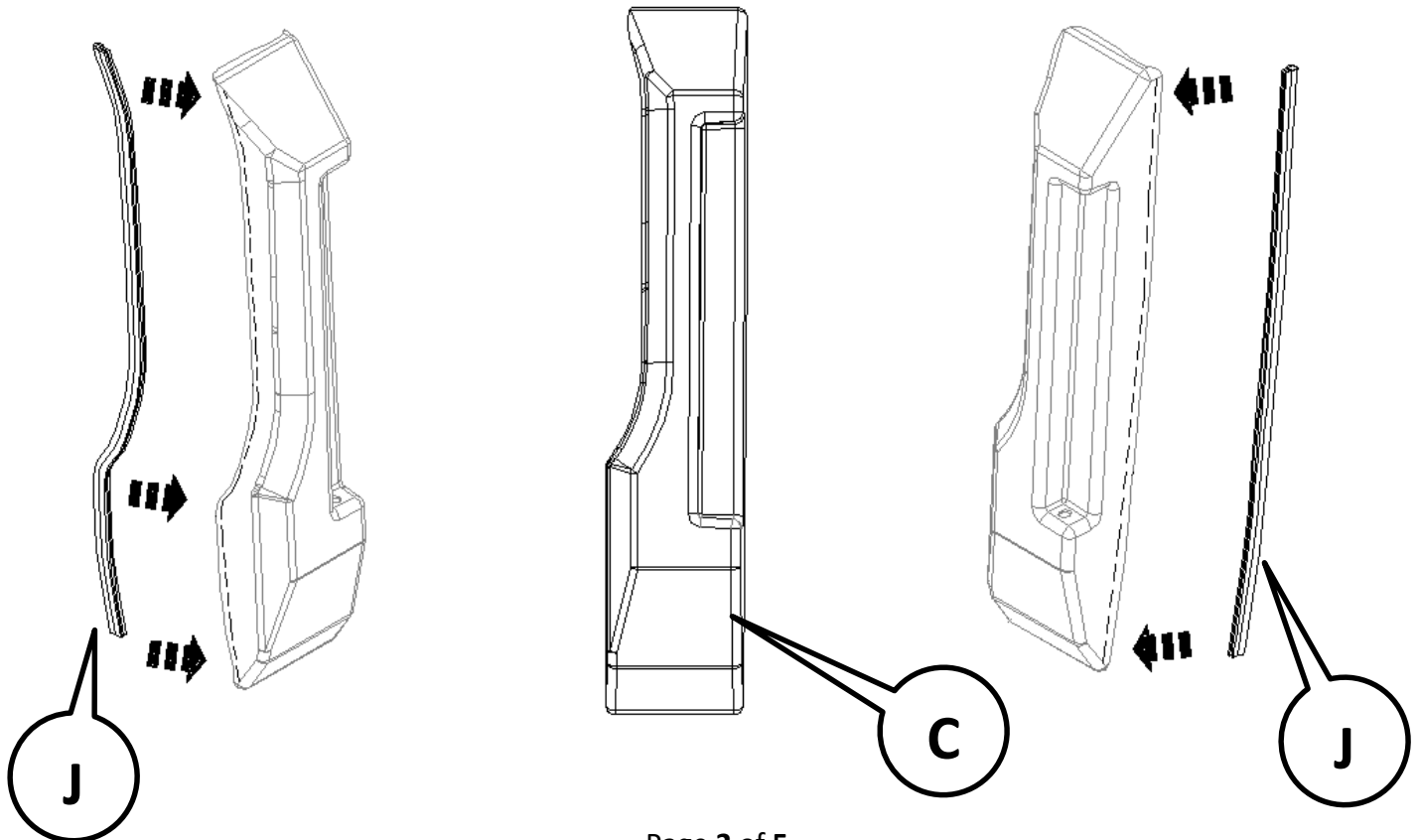
<div style="border: 1px solid black; padding: 5px;"> <p>A Driver front hinge cover</p>  <p style="text-align: right;">X1</p> </div>	<div style="border: 1px solid black; padding: 5px;"> <p>B Passenger front hinge cover</p>  <p style="text-align: right;">X1</p> </div>	<div style="border: 1px solid black; padding: 5px;"> <p>C Driver rear hinge cover</p>  <p style="text-align: right;">X1</p> </div>
<div style="border: 1px solid black; padding: 5px;"> <p>D Passenger rear hinge cover</p>  <p style="text-align: right;">X1</p> </div>	<div style="border: 1px solid black; padding: 5px;"> <p>E Carriage bolt</p>  <p style="text-align: right;">X4</p> </div>	<div style="border: 1px solid black; padding: 5px;"> <p>F Acorn nut</p>  <p style="text-align: right;">X4</p> </div>
<div style="border: 1px solid black; padding: 5px;"> <p>G Plastic spacer</p>  <p style="text-align: right;">X4</p> </div>	<div style="border: 1px solid black; padding: 5px;"> <p>H Flange bolt</p>  <p style="text-align: right;">X4</p> </div>	<div style="border: 1px solid black; padding: 5px;"> <p>I Washer</p>  <p style="text-align: right;">X4</p> </div>
<div style="border: 1px solid black; padding: 5px;"> <p>J Bulb seal</p>  <p style="text-align: right;">X1</p> </div>	<p>TOOLS REQUIRED:</p> <p style="text-align: center;">TIN SNIPS</p> <p style="text-align: center;">13MM WRENCH/SOCKET</p>	

1 Remove vehicle doors per the owner's manual instructions.

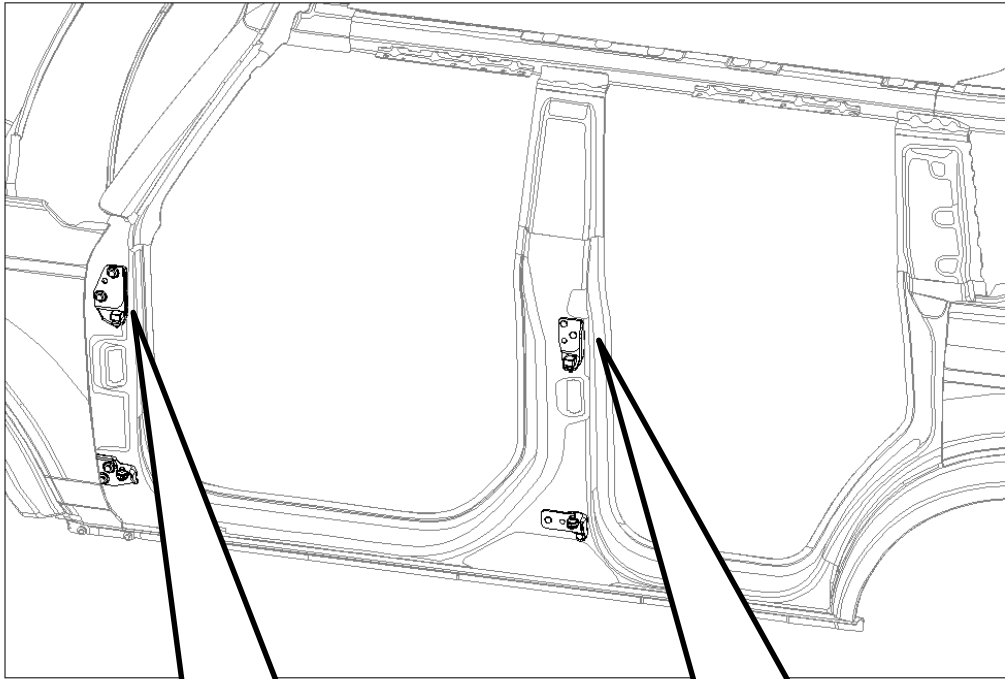
2 Apply the bulb seal to the edge of the hinge covers as shown. Driver front and driver rear covers are shown below. Make sure the bulb seal is fully installed on the hinge cover edge by pressing along the length of the bulb seal. Trim to length with tin snips.



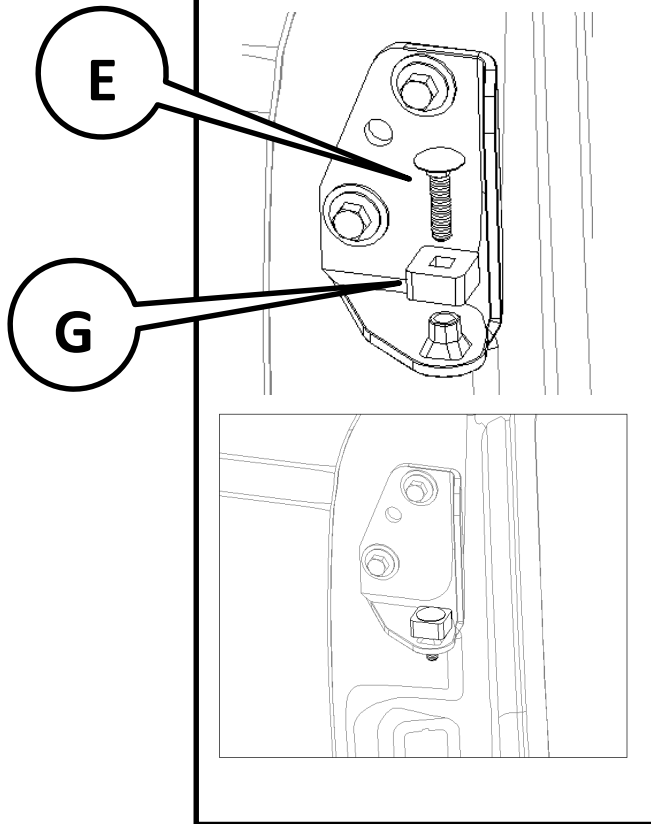
DRIVER SIDE REAR – BULB SEAL ON BOTH VERTICAL EDGES



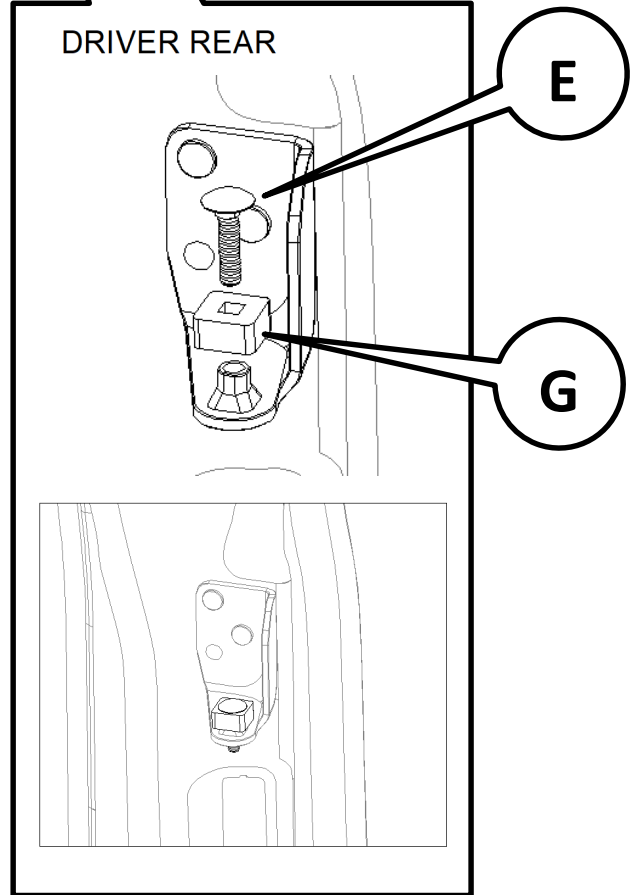
- 3** Install the carriage bolt through the plastic spacer and through the upper door hinges. The large opening in the plastic spacer fits over the post on the door hinge.



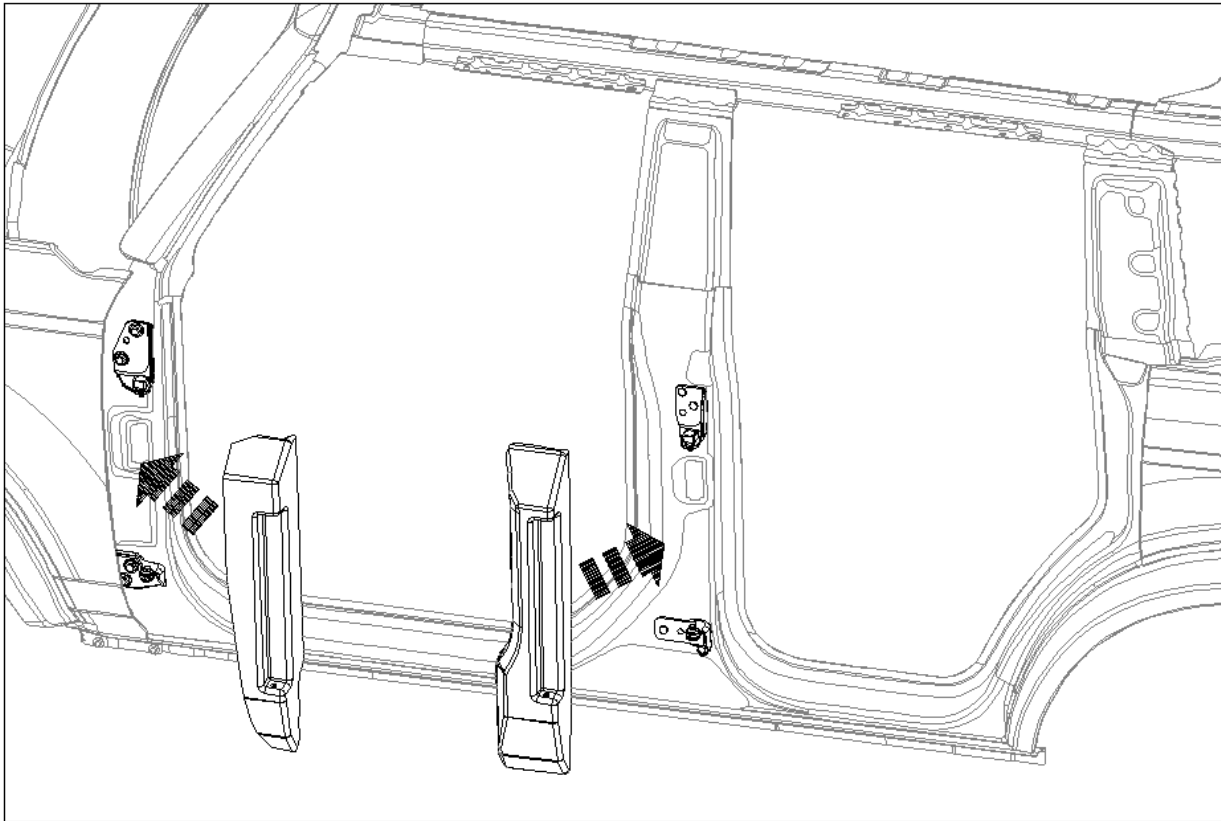
DRIVER FRONT



DRIVER REAR

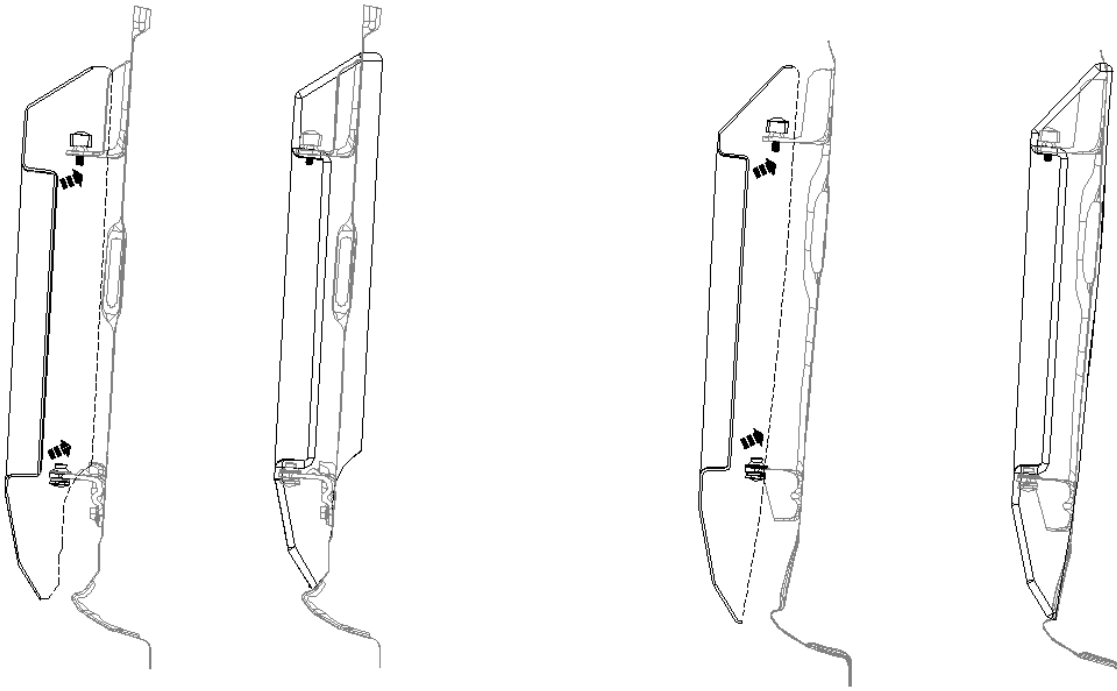


- 4** Place the hinge cover between the hinge brackets on the vehicle. The carriage bolt may push up into the hinge bracket with placing the covers. After the cover is in place push in on the hinge cover when the carriage bolt is installed to get it to drop down through the hole.

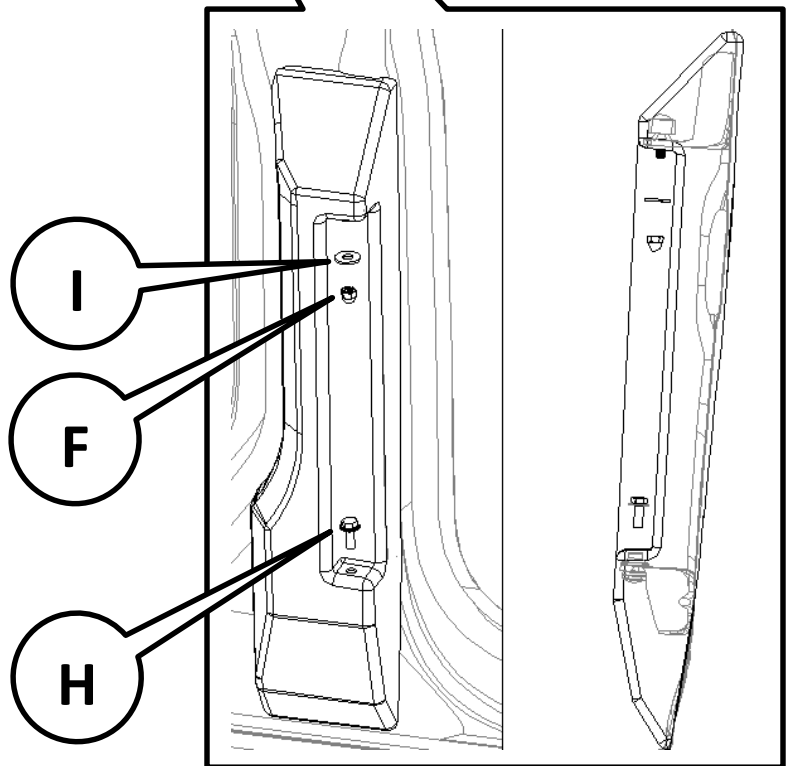
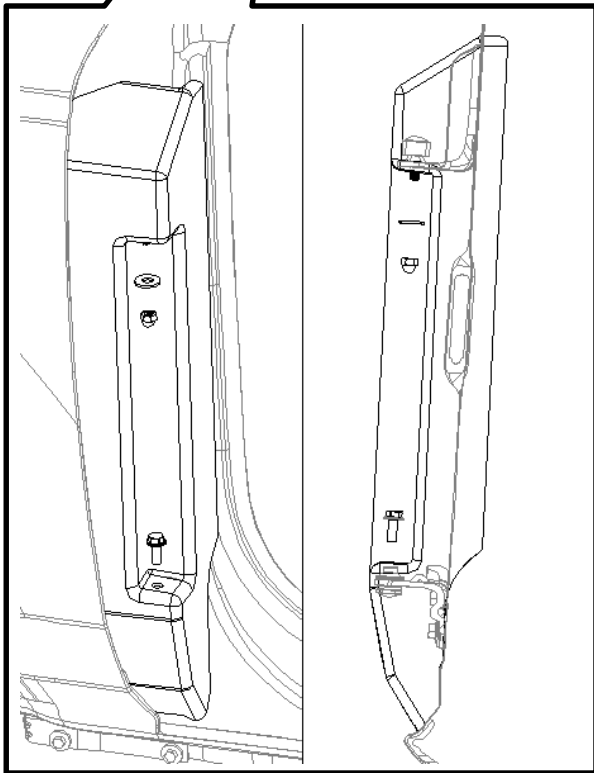
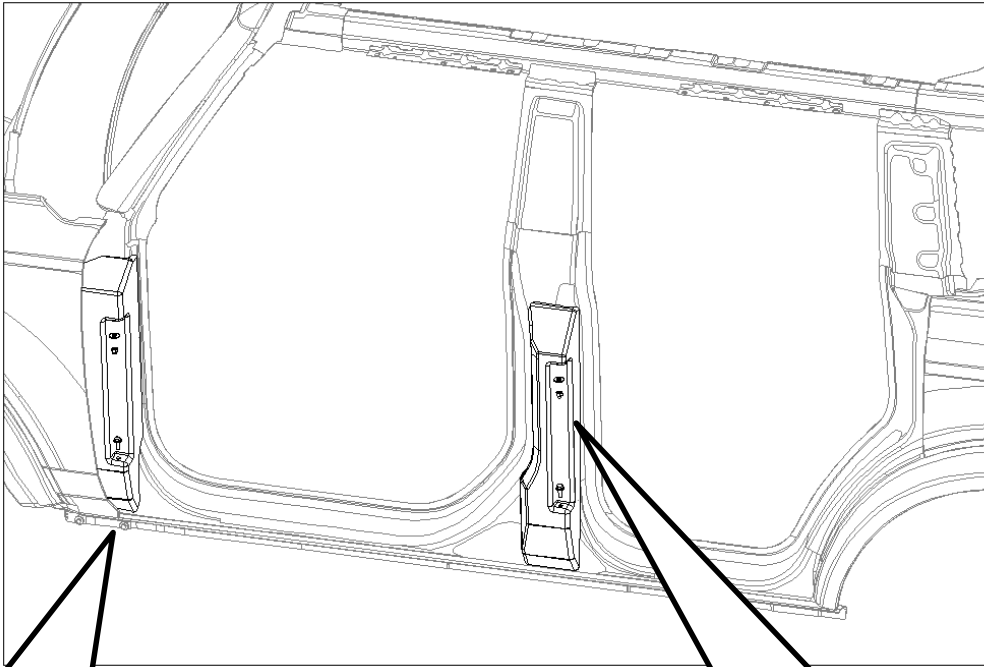


DRIVER FRONT

DRIVER REAR



- 5** Using the 13mm socket/wrench, attached the washer and acaron nut to the carriage bolt in the top mounting position. Using the flange bolt, attach the hinge cover to the lower hinge bracket. Ensure all fasteners are tight.



Repeat Steps on the Passenger side.